

# HOBO® U30/NRC Quick Start Guide

Follow the steps in this Quick Start Guide to configure a HOBO U30 Station with No Remote Communication (U30/NRC).

For more information, see the *HOBO U30 NRC User Guide* available as a printable file from the Onset website at: <http://www.onsetcomp.com/support/manuals>

The HOBO U30 Station is a data logging system that can be easily reconfigured and adapted to a wide variety of applications. Up to 15 channels of data can be recorded, monitored, graphed, and analyzed with HOBOWare® Pro software.

## Main Features

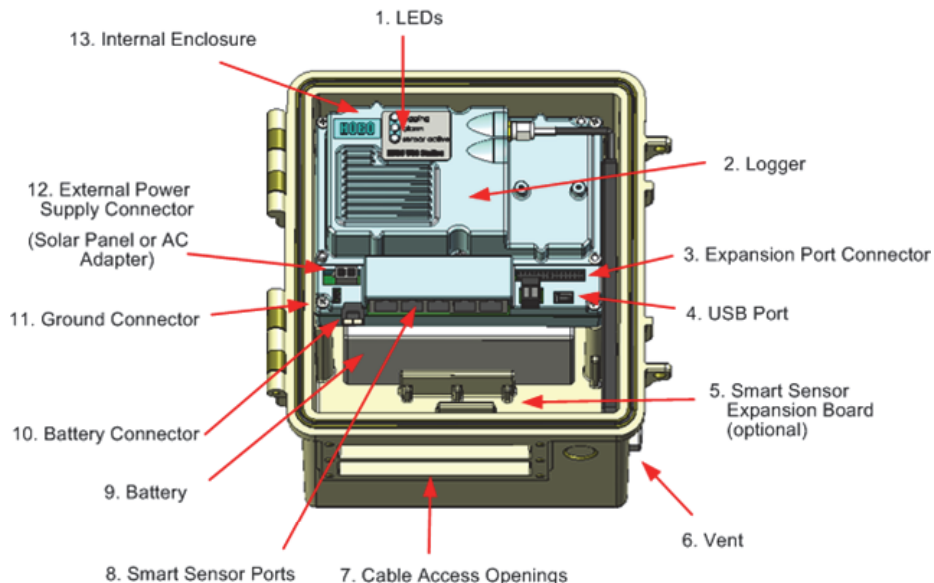
- All electronics are housed within a rugged double-weatherproof, tamper-proof enclosure
- Set up is quick and easy with plug-and-play connectors
- Fast data offload via USB
- Optional analog inputs with sensor excitation

## Contents

The HOBO U30 Station package includes:

- HOBO U30 Station
- Mounting Kit
- Grounding Wire
- Cable Entry and Sealing Kit
- Optional Analog Sensor Port, if ordered
- Optional Sensor Expander Board, if ordered

## Components



11867-B MAN-U30-NRC-QS

**IMPORTANT:** Always plug in the battery first, before you plug in any solar panel or power supply connector. When disconnecting power, always unplug any solar panel or power supply connector first, then unplug the battery.

## Step 1 - Install Mounting Plates

Screw the mounting plates onto the back of the HOBO U30 Station case using a Phillips-head screwdriver. Be careful to orient the plates so that the screw heads are sunk into the screw holes.

## Step 2 - Remove Secondary Cable Slot (Optional)

If you are using the Smart Sensor Expander Board, you must remove the piece covering the Secondary Cable Slot to access the board. See the *U30 Station/NRC User's Guide* for details.

## Step 3 - Plug in Smart Sensors

Insert the Smart Sensor cables through the cable access opening in the bottom of HOBO U30 Station and plug them into the Smart Sensor jacks.

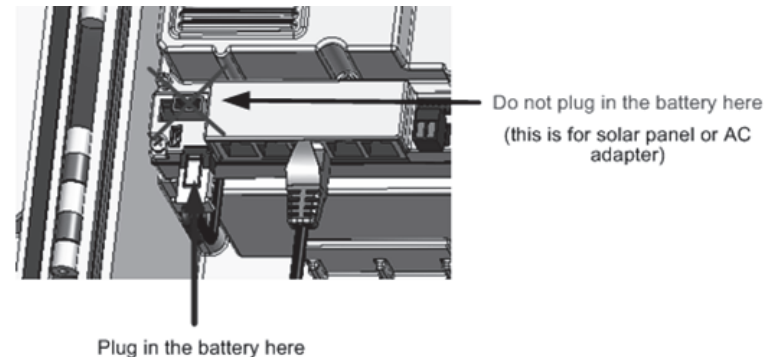
If you are using the Smart Sensor Expander Board, you should install these cables to that board first, routing them through the secondary cable slot.

## Step 4 - Connect the U30 to a Computer Running HOBOWare

Connect the U30 to a computer using a USB cable supplied by Onset. Plug the "mini-B" end of the USB cable provided into the USB port on the HOBO U30 Station and connect the "A" end to the USB port in your computer.

## Step 5 - Connect the Battery

Power up the HOBO U30 Station by plugging in the built-in battery cable into the battery connector.



## Step 6 - Configure Analog Sensor Port (Optional)

If you are using analog sensors, configure the analog sensor port on the U30 now using HOBOWare.

- a. From the Main Menu select **Device > Configure Modules/Ports**. The **Select Channel to Configure** dialog will appear showing all configurable Analog Sensors attached to the logger.
- b. Click the + sign to expand the entry and show the channels.
- c. Select a channel name and then click the **Configure** button to open the **Channel Configuration** dialog.
- d. Change any configurable parameters as required.
- e. To send the currently displayed configuration to the module/port, click **Configure**.

See the *HOBOWare User Guide* for more details.

## Step 7 - Configure Launch Settings

- a. From the Main Menu, select **Device > Launch**.
- b. Enter values as required in the **Launch Window**.  
Enter a *Launch Description*, which will be used as the filename for data readouts.

Select a *Logging Interval*, which is how often the U30 logs data from the sensors. For an initial test, configure a logging interval of 10 seconds.

Select a *Launch Option*, which determines when the U30 will be launched. For an initial test, select *Now*.

- c. Click the **Start** button.

## Step 8 - Test U30 and Sensors

- a. To verify that the U30 and sensors are working properly, from the Main Menu select **Device > Status**.
- b. Change the sensor readings by changing the conditions.

For example, if you are measuring temperature, hold the temperature sensor in your hands for a minute or two and verify that the temperature shown in the Current Readings increases.

## Step 9 - Reading Out Data

- a. Click the **Readout** icon on the toolbar to open the **Readout** window (or from the Main Menu select **Device > Readout**).
  - b. When HOBOWare prompts you to stop the logger before reading out, click **Stop**.
  - c. When HOBOWare Pro prompts you to save the data file, click **Save**.
- After you save the file, the **Plot Setup** dialog appears.
- d. Select channels to plot and other desired options, and click **Plot**.

The graph appears.

e. Use HOBOWare tools and features to change your view of the graph and analyze the data. Review the data and verify that it is accurate. The graph should reflect the change in conditions that you created in Step 7. See the *HOBOWare User Guide* for more details.

## Step 10 - Prepare Logger for Deployment

You are now ready to deploy the U30 in the field.

- a. Open the Launch Window in HOBOWare and set your *Logging Interval* to the value you want to deploy with.
- b. **If you are not deploying the system immediately, disconnect the battery to save battery power.**
- c. Disconnect the USB cable from the U30.
- d. Disconnect the sensors for transporting the system to the field (Optional).

## Tripod Setup

For information on setting up a tri-pod and deploying the U30 in the field, see the *Tripod Setup Guide* available at <http://www.onsetcomp.com/support/manuals>.

---

## Support

For support, please contact the company that you bought the products from: Onset Computer Corporation or an Onset Authorized Dealer.  
1-800-LOGGERS (1-800-564-4377) or 508-759-9500  
8 AM to 8 PM ET, Monday through Friday Fax: 508-759-9100

## Contact Information

Onset Computer Corporation 470 MacArthur Blvd Bourne, MA 02532  
Mailing Address: PO Box 3450 Pocasset, MA 02559-3450  
[www.onsetcomp.com](http://www.onsetcomp.com); email: [loggerhelp@onsetcomp.com](mailto:loggerhelp@onsetcomp.com)