

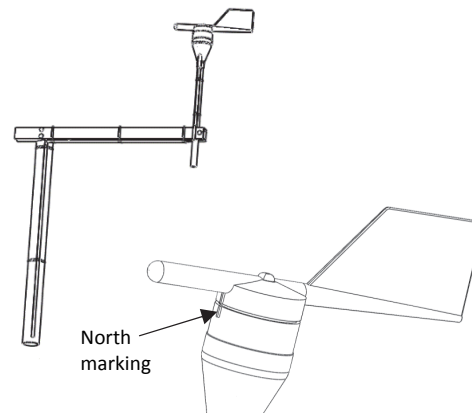
## Wind Direction Smart Sensor (S-WDA-M003) Quick Start

### Connecting to a Station

1. Stop the station if it is logging
2. Plug the smart sensor jack into an open smart sensor port on the station.
3. Start logging. See the station manual at [www.onsetcomp.com/support/manuals](http://www.onsetcomp.com/support/manuals) for details on operating stations with smart sensors.

### Mounting the Smart Sensor

1. Mount the sensor on a tripod cross arm. Insert a hex head bolt with a flat washer through the hole on the end of the cross arm. Install a lock washer and nut on the bolt and tighten with a wrench until snug.
2. Insert the sensor mounting rod into the cross arm making sure 1.3 cm (1/2 inch) of the rod protrudes from the bottom of the cross arm.
3. Adjust the height of the sensor in the cross arm as necessary and tighten the nut and bolt.
4. Use cable ties to secure the sensor cable to the cross arm, bracket, and mast.
5. The sensor must be oriented properly to obtain meaningful data. Align the north marking on the base of the sensor with true north with a compass or GPS.



See the logger manual at [www.onsetcomp.com/support/manuals/s-wda](http://www.onsetcomp.com/support/manuals/s-wda) for alternate mounting methods and for instructions for accurately aligning the sensor to true north.

21833-A MAN-S-WDA-QSG

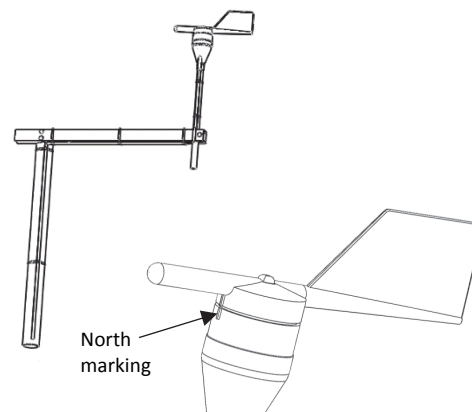
## Wind Direction Smart Sensor (S-WDA-M003) Quick Start

### Connecting to a Station

1. Stop the station if it is logging
2. Plug the smart sensor jack into an open smart sensor port on the station.
3. Start logging. See the station manual at [www.onsetcomp.com/support/manuals](http://www.onsetcomp.com/support/manuals) for details on operating stations with smart sensors.

### Mounting the Smart Sensor

1. Mount the sensor on a tripod cross arm. Insert a hex head bolt with a flat washer through the hole on the end of the cross arm. Install a lock washer and nut on the bolt and tighten with a wrench until snug.
2. Insert the sensor mounting rod into the cross arm making sure 1.3 cm (1/2 inch) of the rod protrudes from the bottom of the cross arm.
3. Adjust the height of the sensor in the cross arm as necessary and tighten the nut and bolt.
4. Use cable ties to secure the sensor cable to the cross arm, bracket, and mast.
5. The sensor must be oriented properly to obtain meaningful data. Align the north marking on the base of the sensor with true north with a compass or GPS.

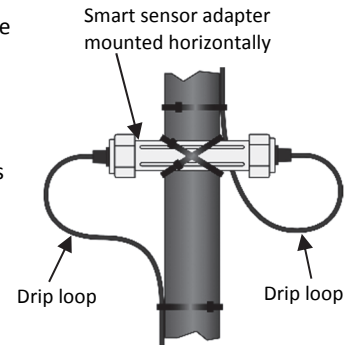


See the logger manual at [www.onsetcomp.com/support/manuals/s-wda](http://www.onsetcomp.com/support/manuals/s-wda) for alternate mounting methods and for instructions for accurately aligning the sensor to true north.

21833-A MAN-S-WDA-QSG

### Deployment Guidelines

- The sensor can be damaged with improper handling. Store it in the shipping box until you are ready to install it.
- The sensor should be mounted vertically in a location free of wind shadows.
- For accurate wind direction measurements, mount the sensor at a distance of at least five times the height of the nearest tree, building, or other obstruction.
- Secure the sensor cable with cable ties to protect it from damage.
- The tripod or mounting mast must be properly grounded. Use the grounding kit (M-GKA).
- Use the guy wire kit (M-GWA) to secure the mast where the wind sensor is mounted so that it does not vibrate.
- To minimize measurement errors due to ambient RF, keep the probe cable as far as possible from other cables carrying high frequency or high-current signals.
- To provide long-term protection from moisture entry, the smart sensor adapter must be mounted horizontally and with the cable wires routed with drip loops so that water drains away from the cable entry point as shown in the example at right. When mounted properly, the housing is weatherproof (but not waterproof).



For more information about this smart sensor, refer to the full product manual. Scan the code at left or go to [www.onsetcomp.com/support/manuals/s-wda](http://www.onsetcomp.com/support/manuals/s-wda).



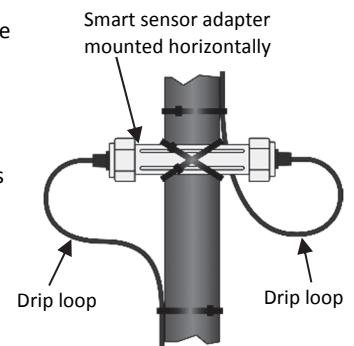
1-800-LOGGERS (564-4377) • 508-759-9500  
[www.onsetcomp.com/support/contact](http://www.onsetcomp.com/support/contact)

© 2017 Onset Computer Corporation. All rights reserved. Onset and HOBO are registered trademarks of Onset Computer Corporation. All other trademarks are the property of their respective companies.

21833-A MAN-S-WDA-QSG

### Deployment Guidelines

- The sensor can be damaged with improper handling. Store it in the shipping box until you are ready to install it.
- The sensor should be mounted vertically in a location free of wind shadows.
- For accurate wind direction measurements, mount the sensor at a distance of at least five times the height of the nearest tree, building, or other obstruction.
- Secure the sensor cable with cable ties to protect it from damage.
- The tripod or mounting mast must be properly grounded. Use the grounding kit (M-GKA).
- Use the guy wire kit (M-GWA) to secure the mast where the wind sensor is mounted so that it does not vibrate.
- To minimize measurement errors due to ambient RF, keep the probe cable as far as possible from other cables carrying high frequency or high-current signals.
- To provide long-term protection from moisture entry, the smart sensor adapter must be mounted horizontally and with the cable wires routed with drip loops so that water drains away from the cable entry point as shown in the example at right. When mounted properly, the housing is weatherproof (but not waterproof).



For more information about this smart sensor, refer to the full product manual. Scan the code at left or go to [www.onsetcomp.com/support/manuals/s-wda](http://www.onsetcomp.com/support/manuals/s-wda).



1-800-LOGGERS (564-4377) • 508-759-9500  
[www.onsetcomp.com/support/contact](http://www.onsetcomp.com/support/contact)

© 2017 Onset Computer Corporation. All rights reserved. Onset and HOBO are registered trademarks of Onset Computer Corporation. All other trademarks are the property of their respective companies.

21833-A MAN-S-WDA-QSG